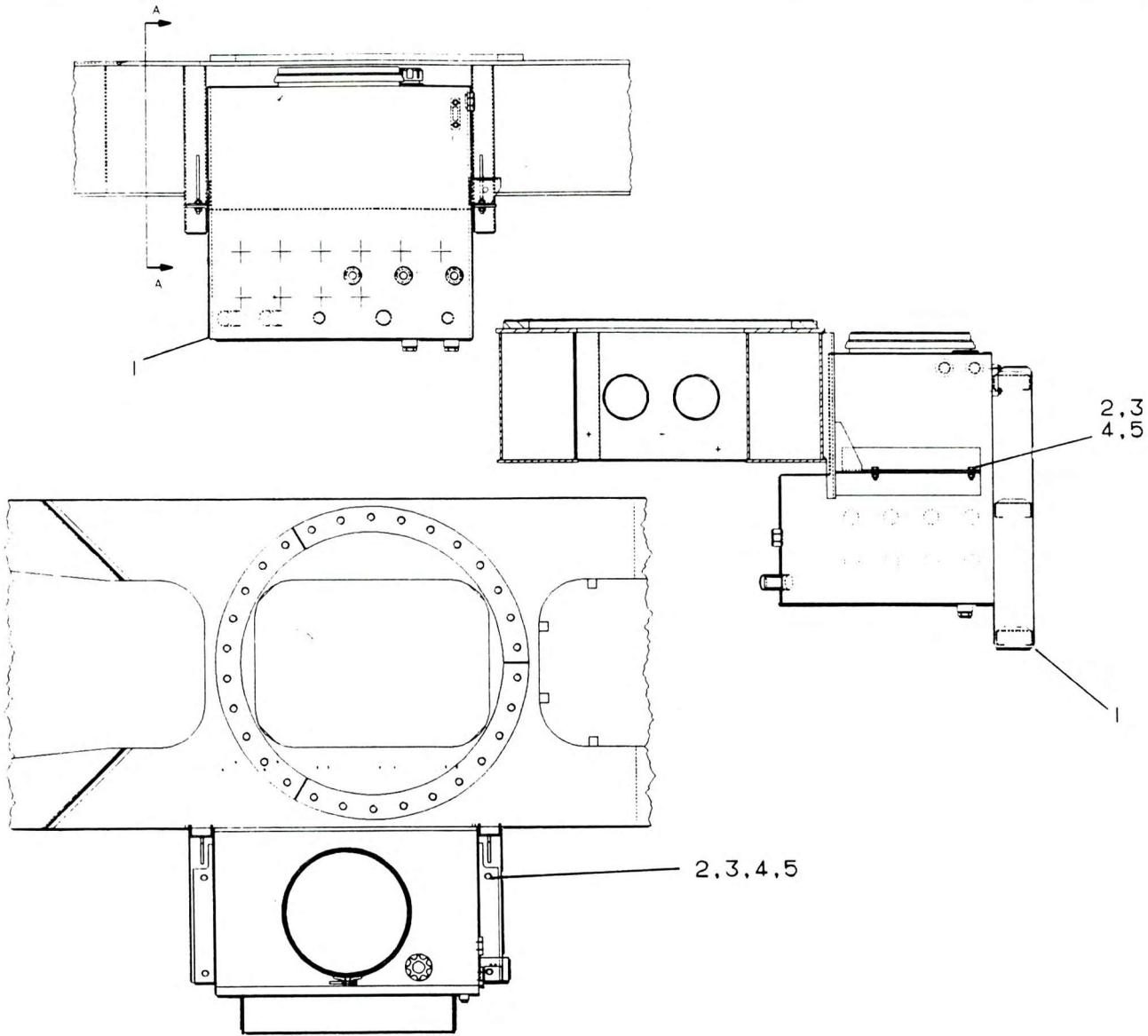


HYDRAULIC TANK AND STEPS INSTALL



NO.	PART NO.	QTY.	DESCRIPTION	NO.	PART NO.	QTY.	DESCRIPTION
1 +	6-880-990285	1	Hydraulic Oil Tank Assy Chassis				
2	7-126-211453	4	Screw Hex Head M12 x 35mm				
3	7-951-210210	4	Washer Lock				
4	7-951-210014	4	Washer				
5	7-661-210003	4	Nut				

+ See further breakdown in this group